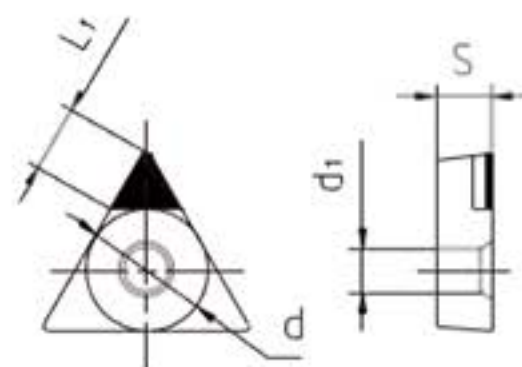
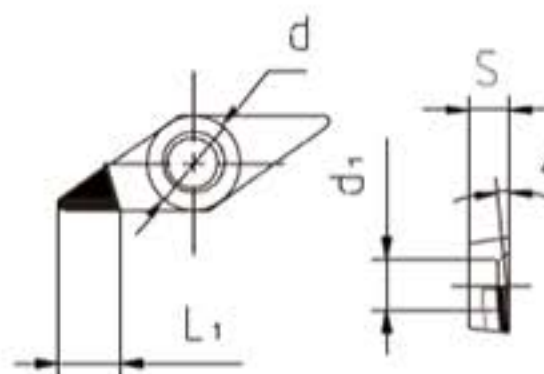
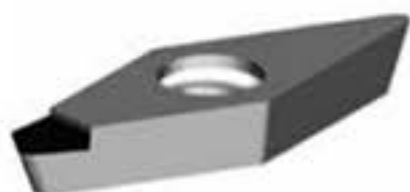


## PCD Tip and Chip-Breaking Grooves



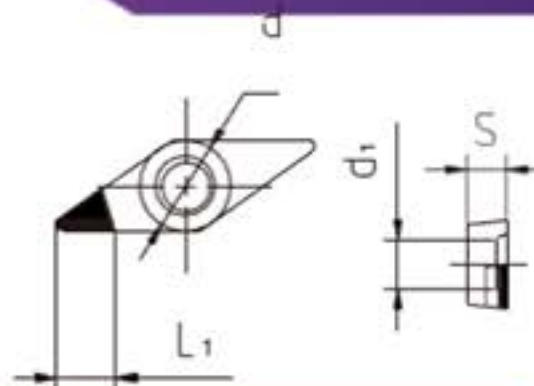
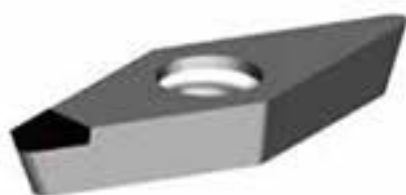
Model	Size				Material		
	d	S	d <sub>1</sub>	L <sub>1</sub>	GT25	GT10	GT302
TPGT1102025F00-X1	6.35	2.38	2.8	3.7	●	●	●
TPGT110204SF00-X1	6.35	2.38	2.8	3.4	●	●	●

## PCD Tip Front Corner



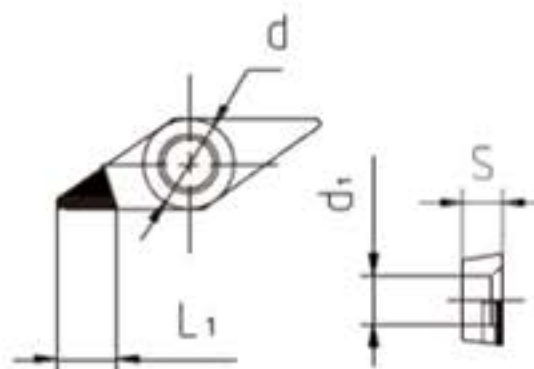
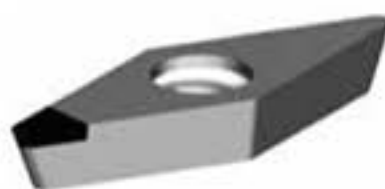
Model	Size				Material		
	d	S	d <sub>1</sub>	L <sub>1</sub>	GT25	GT10	GT302
VBGW110304SF05-X1	6.35	3.18	2.9	4.6	●	●	●
VBGW110304SF07-X1					●	●	●
VBGW110304SF10-X1					●	●	●
VBGW110308SF05-X1	6.35	3.18	2.9	3.9	●	●	●
VBGW110308SF07-X1					●	●	●
VBGW110308SF10-X1					●	●	●
VBGW160404SF05-X1	9.525	4.76	4.4	5.5	●	●	●
VBGW160404SF07-X1					●	●	●
VBGW160404SF10-X1					●	●	●
VBGW160408SF05-X1	9.525	4.76	4.4	5	●	●	●
VBGW160408SF07-X1					●	●	●
VBGW160408SF10-X1					●	●	●

## PCD Tip with a Front Angle of 0 Degrees



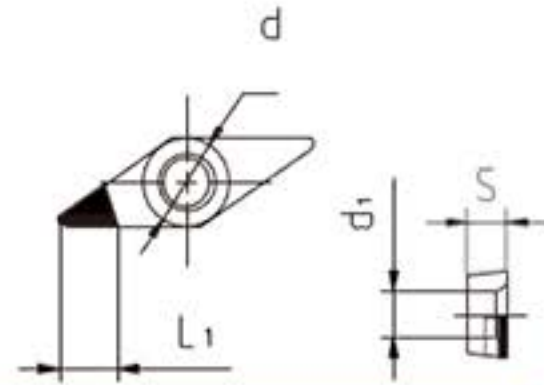
Model	Size				Material		
	d	S	d <sub>i</sub>	L <sub>1</sub>	GT25	GT10	GT302
VBGW110304SF00-X1	6.35	3.18	2.9	4.6	●	●	●
VBGW110308SF00-X1	6.35	3.18	2.9	3.9	●	●	●
VBGW160404SF00-X1	9.525	4.76	4.4	5.5	●	●	●
VBGW160408SF00-X1	9.525	4.76	4.4	5	●	●	●

## PCD Tip and Chip-Breaking Grooves



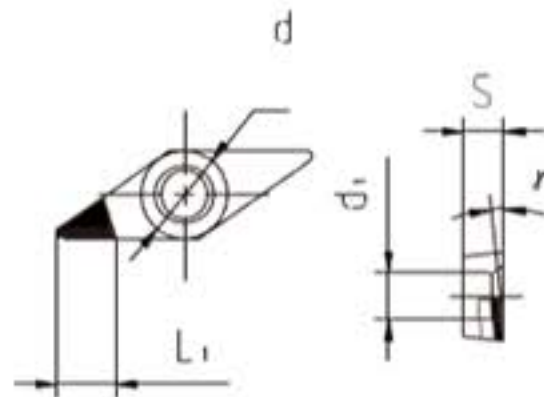
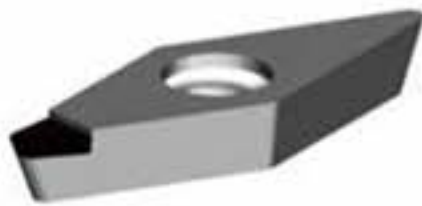
Model	Size				Material		
	d	S	d <sub>i</sub>	L <sub>1</sub>	GT25	GT10	GT302
VBGT110304SF00-X1	6.35	3.18	2.9	4.6	●	●	●
VBGT110308SF00-X1	6.35	3.18	2.9	3.9	●	●	●
VBGT160404SF00-X1	9.525	4.76	4.4	5.5	●	●	●
VBGT160408SF00-X1	9.525	4.76	4.4	5	●	●	●

## PCD tip With a Front Angle of 0 Degrees



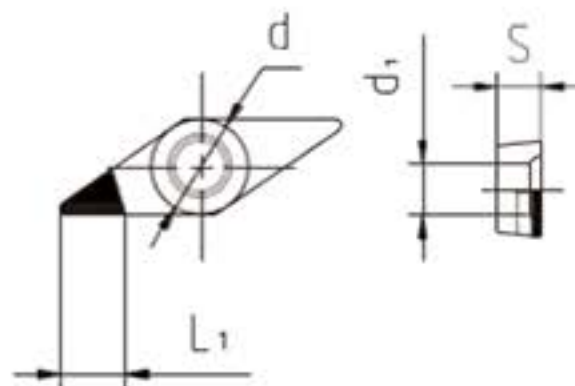
Model	Size				Material		
	d	S	d <sub>i</sub>	L <sub>1</sub>	GT25	GT10	GT302
VCGW110304SF00-X1	6.35	3.18	2.9	4.6	●	●	●
VCGW110308SF00-X1	6.35	3.18	2.9	3.9	●	●	●
VCGW160404SF00-X1	9.525	4.76	4.4	5.5	●	●	●
VCGW160408SF00-X1	9.525	4.76	4.4	5	●	●	●

## PCD Tip Front Corner



Model	Size				Material		
	d	S	d <sub>i</sub>	L <sub>1</sub>	GT25	GT10	GT302
VCGW110304SF05-X1	6.35	3.18	2.9	4.6	●	●	●
VCGW110304SF07-X1					●	●	●
VCGW110304SF10-X1					●	●	●
VCGW110308SF05-X1	6.35	3.18	2.9	3.9	●	●	●
VCGW110308SF07-X1					●	●	●
VCGW110308SF10-X1					●	●	●
VCGW160404SF05-X1	9.525	4.76	4.4	5.5	●	●	●
VCGW160404SF07-X1					●	●	●
VCGW160404SF10-X1					●	●	●
VCGW160408SF05-X1	9.525	4.76	4.4	5	●	●	●
VCGW160408SF07-X1					●	●	●
VCGW160408SF10-X1					●	●	●

## PCD Tip and Chip-Breaking Grooves



Model	Size				Material		
	d	S	d <sub>1</sub>	L <sub>1</sub>	GT25	GT10	GT302
VCGW110302SF00-X1	6.35	3.18	2.8	4.6	●	●	●
VCGW110304SF00-X1	6.35	3.18	2.8	3.9	●	●	●
VCGW160404SF00-X1	9.525	4.76	4.4	5.5	●	●	●
VCGW160408SF00-X1	9.525	4.76	4.4	5	●	●	●